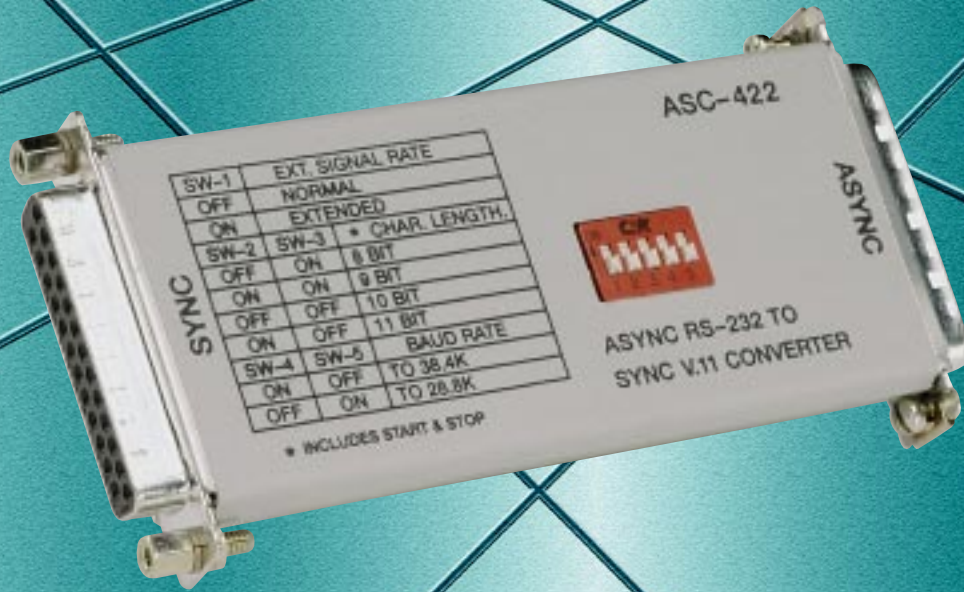


ASC-422 ASYNC TO SYNC CONVERTER

RS-232 to
RS-449 or
RS-530



FEATURES / BENEFITS

- ✓ Interface - RS-232, DB-25 Male (To DTE) and RS-449/RS-530 Female DB-25 (To DCE)
- ✓ Data Rates - Synchronous to 38.4bps and supports 3/4 baud rates
- ✓ Synchronous data rates are automatically adjusted
- ✓ Line Powered or optional DC power
- ✓ Switch selectable - 8 to 11 bits
- ✓ CCITT V.14 and V.22 compliant
- ✓ Supports full and half duplex operation
- ✓ Compact and Easy To Install

DESCRIPTION

The ASC-422 Async to Sync Converter is designed to allow RS-232 async terminal equipment to transmit over higher speed V.11 compliant sync modems. The ASC-422 devices are used in pairs, one at each end of the communication link or in multiples as when used in a multi-drop communication link.

The ASC-422 supports async data of 8, 9, 10 and 11 bits, including the start and stop bit. Standard data rates from 1200 to 38.4bps and 3/4 rates of 900 to 28.8bps are supported for synchronous transmission. The ASC-422 automatically adjusts the sync data rate to match the DTE's output rate, no data rate strapping is required.

Stop bit reduction is provided when the async data rate is faster than the sync data rate, ensuring reliable data communications.

Utilizing new silicon chip technology this device derives its power from both the async and sync interfaces, thus no power supply is required. This equates to savings in your power requirements and with battery backup at your data center.

The ASC-422 is housed in a sturdy metal enclosure and will provide in excess of 100,000 hours of reliable service.

The ASC-422 has a three year warranty and a 24 hour turnaround on warranty repairs.

EAST COAST DATACOM, INC.

SPECIFICATIONS

Application

RS-232 async terminal to sync
RS-422/RS-530 modem
Conversion, full or half duplex

Capacity

One sync RS-422/530 modem
One async RS-232 terminal

Interface

RS-232 to DTE
RS-422 or RS-530 to DCE

Data Rates

1200 to 38.4bps
900 to 28.8bps

Data Format

Data transparent at all data rates
Conforms to CCITT V.14 and V.22,
(Async to Sync conversion)

Switches

Provided for async data set-up, stop
bit reduction and signal
to frame ground

Physical Interface

Female DB-25 Connector to Modem
Female DB-25 Connector for Terminal

Power Source

Line Powered from existing equipment -
Draws 8ma - No AC power required

Environmental

Operating Temperature....32° to 122° F (0° to 50° C)
Relative Humidity.....5 to 95% Non-Condensing
Altitude.....0 to 10,000 feet

Dimensions

Height 0.50 inches (1.27 cm)
Width 1.75 inches (4.44 cm)
Length 3.90 inches (9.91 cm)

Weight

1 pound (0.457Kg)

Warranty

Three Years, Return To Factory

ORDERING INFORMATION

Model: ASC-422 / DC opt.
Description: Async to Sync converter
with DC option

INCLUDED WITH EACH UNIT:

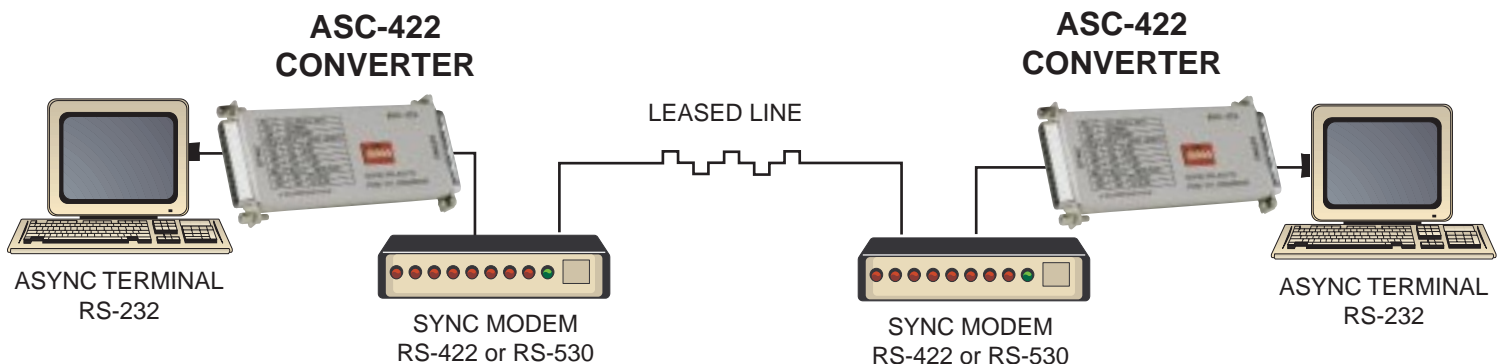
1) Installation Guide

For further detailed technical information on this
product, contact East Coast Datacom Technical
Assistance toll free at (800) 240-7948.

OTHER EAST COAST DATACOM PRODUCTS

MODEM AND PORT SHARING DEVICES
64K SYNC LINE DRIVER
SIGNAL REGENERATORS
DATA BROADCAST UNIT

EAST COAST DATACOM DESIGNS AND MANUFACTURES DATA COMMUNICATION EQUIPMENT FOR YOUR NETWORK REQUIREMENTS.



SPECIFICATIONS ARE SUBJECT TO CHANGE WITHOUT NOTICE

DOC #721018

EAST COAST DATACOM, INC.

245 Gus Hipp Boulevard, STE 3
Rockledge, FL 32955-4812 U.S.A.

TEL: (321) 637-9922

WEB SITE: www.ecdata.com

FAX: (321) 637-9980