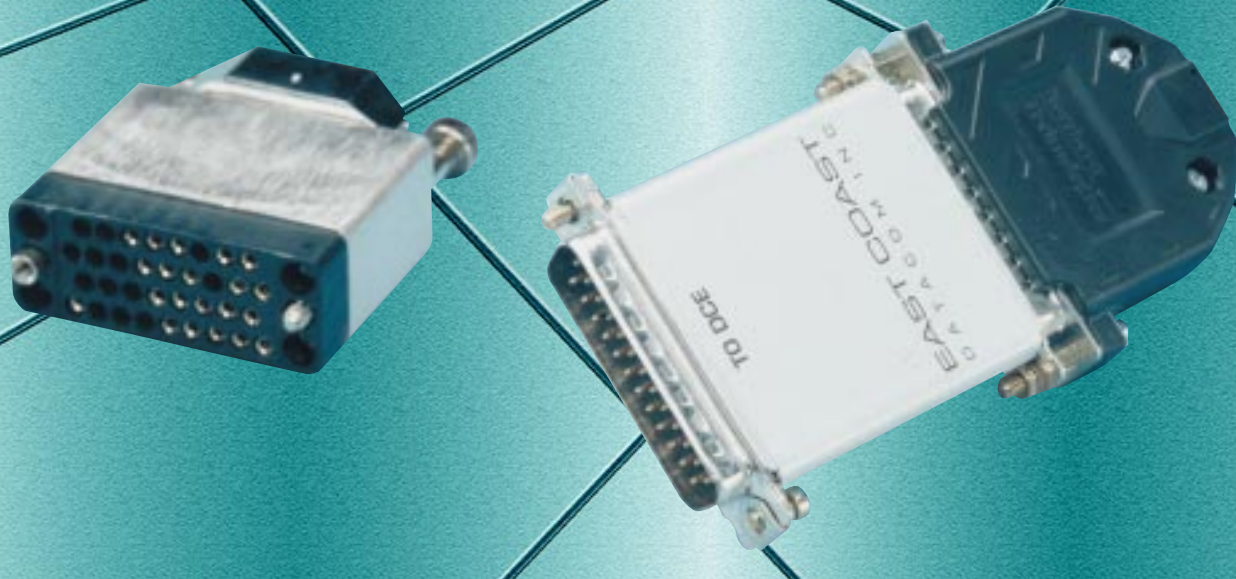


V35-232 INTERFACE CONVERTER

V.35 to RS-232



FEATURES / BENEFITS

- ✓ Interface - V.35 and RS-232, V.35 Male Male / Female Genders, DB-25 Male
- ✓ Data Rates - Synchronous to 128Kbps
- ✓ Line Powered
- ✓ 6 Foot Cable Included
- ✓ Passes All Appropriate Control Signals
- ✓ Bi-Directional Transmission
- ✓ Transparent to Data
- ✓ Compact and Easy To Install

DESCRIPTION

The V35-232 Interface Converter is designed to provide signal level conversion between V.35 DCE (Modem) equipment and RS-232 DTE (Terminal) equipment.

The V35-232 transmits data bi-directionally at data rates up to 128kbps. The device has no switches or straps to configure.

Ideal for Local Area and Wide Area networks the V35-232 interface converter is line powered and requires No AC power source.

Utilizing new silicon chip technology this device requires less than 5ma for operation. This equates to savings in your power requirements and with battery backup at your data center.

Applications that can benefit from the V35-232 are LAN-WAN connectivity, video conferencing, adaptation of older model test equipment and new high speed Modems connecting to RS-232 DTE equipment.

The V35-232 is protocol independent and passes all appropriate Data, Clock and Control Signals.

For maximum flexibility to your system requirement, the V35-232 is available in Male or Female V.35 genders.

The V35-232 is housed in a sturdy metal enclosure and will provide in excess of 100,000 hours of reliable service.

The V35-232 has a three year warranty and a 24 hour turnaround on warranty repairs.

EAST COAST DATACOM, INC.

SPECIFICATIONS

Application

V.35 to RS-232 Interface
and Signal Level Conversion

Capacity

One DCE V.35 and
one RS-232 DTE device

Interface

V.35 and RS-232 Male
or Female connectors

Data Rates

Up to 128Kbps

Data Format

Data transparent at all data rates

Switches

None

RS-232 Physical Interface

Male DB-25 Connector

V.35 Physical Interface

Female or Male V.35 Connectors

Power Source

Line Powered from existing equipment -
Draws 5ma - No AC power required

Environmental

Operating Temperature.....32° to 122° F (0° to 50° C)
Relative Humidity.....5 to 95% Non-Condensing
Altitude.....0 to 10,000 feet

Dimensions

Height 0.50 inches (1.27 cm)
Width 1.75 inches (4.44 cm)
Length 1.75 inches (4.44 cm)

Weight

1/2 pound (0.228Kg)
(Includes Cable and Shipping Box)

Warranty

Three Years, Return To Factory

ORDERING INFORMATION

Model: V35-232 M/ M

Description: V.35 to RS-232 Converter,
Male V.35 and Male RS-232

Model: V35-232 F / M

Description: V.35 to RS-232 Converter,
Female V.35 and Male RS-232

INCLUDED WITH EACH UNIT:

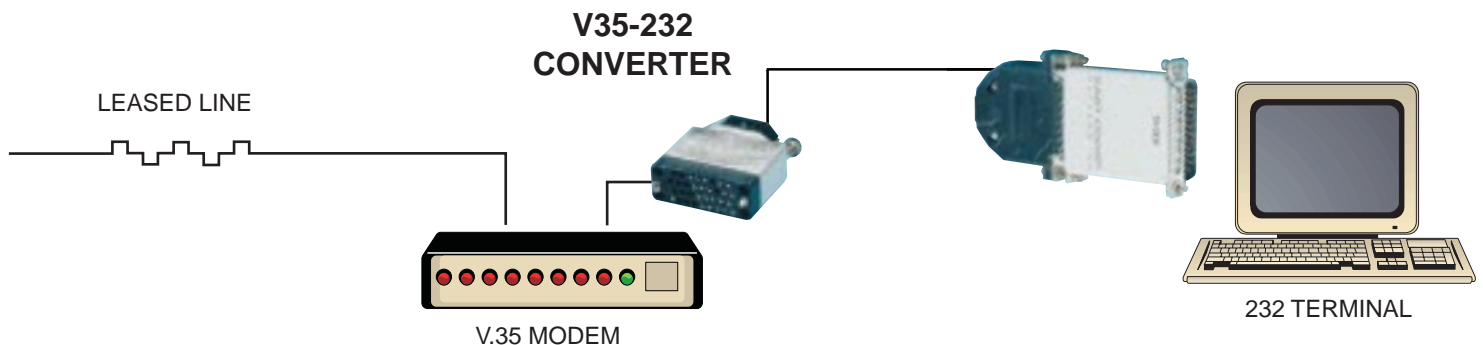
- 1) Installation Guide
- 2) 6 foot V.35 cable

For further detailed technical information on this
product, contact East Coast Datacom Technical
Assistance toll free at (800) 240-7948.

OTHER EAST COAST DATACOM PRODUCTS

MODEM AND PORT SHARING DEVICES
64K SYNC LINE DRIVER
SIGNAL REGENERATORS
DATA BROADCAST UNIT
ASYNC TO SYNC CONVERTER

EAST COAST DATACOM DESIGNS AND MANUFACTURES DATA COMMUNICATION EQUIPMENT FOR YOUR NETWORK REQUIREMENTS.



SPECIFICATIONS ARE SUBJECT TO CHANGE WITHOUT NOTICE

DOC #721016

EAST COAST DATACOM, INC.

245 Gus Hipp Boulevard, STE 3
Rockledge, FL 32955-4812 U.S.A.

TEL: (321) 637-9922

WEB SITE: www.ecdata.com

FAX: (321) 637-9980