

DBU-2328

DATA BROADCAST UNIT



FEATURES / BENEFITS

- ✓ Interface - EIA RS-232,DB-25 Female Connectors
- ✓ Data Rates - Sync or Async to 128Kbps
- ✓ Visual Indication of Data/Clock Activity
- ✓ Receive Data, Clock and Optional Control Signal
- ✓ Broadcast to all Subchannels
- ✓ Redundant Cascading via Latching Relays
- ✓ Surge Suppression on all RS-232 Data Interfaces and Power Supply
- ✓ Ideal for V-SAT Data/Clock Broadcasting
- ✓ Sturdy Metal Enclosure
- ✓ 110/220VAC Switch Selectable

DESCRIPTION

The East Coast Datacom DBU-2328 is designed for use in RS-232 receive only data broadcast applications. Examples of typical data broadcast applications are; Continuously updated public data displays and distribution of continuous data to Routers, PC's or receive only printers.

The expanding role of V-SAT systems in receive only applications for real time data distribution is expected to increase dramatically over the next several years. The DBU-2328 is an excellent choice for applications of this type or any RS-232 simplex data distribution.

The DBU-2328 utilizes an RS-232 interface with data rate capabilities up to 128Kbps. The unit supports up to eight receive only terminals simultaneously. Surge protection is provided for all RS-232 data interfaces and the power supply input.

The DBU-2328 continuously broadcasts receive data, receive timing and an optional control signal(DCD) from the data source to the eight output terminal ports. Each data port has independent drivers and receivers for transmission.

The DBU-2328 supports cascading multiple units together from a single data source for multiple outputs. The unit has a redundant cascade port that utilizes positive latching relays. If a single unit loses power, all remaining units will continue to function without error.

The DBU-2328 is housed in a sturdy aluminum enclosure and is supplied with an internal linear power supply. The unit has a 110/120 VAC rotary select switch located on the rear of the housing. The unit can operate on standard power found in all countries.

The DBU-2328 has a three year warranty and a 24 hour turnaround on warranty repairs.

PORT PINOUTS

Pin Number Signal Name

1	Chassis Ground
3	Receive Data
7	Signal Ground
8	Data Carrier Detect
17	Receive Timing
Pins 5 (RTS) and 6 (CTS) are looped	

EAST COAST DATACOM, INC.

SPECIFICATIONS

Application

Multiple Sync or Async Broadcasting of Data, Clock and a optional Control Signal

Capacity

One Input Port for DCE connection
Eight Output Ports for DTE connection
One Cascade Port(any number of units may be cascaded)

Interface

EIA RS-232 with Surge Protection

Data Rates

Up to 128Kbps

Data Format

Data transparent at all data rates

Port Connections

DB-25 female connectors

Front Panel Indicators

Power(PWR), Receive Data(RXD),
ReceiveTiming(CLK) and Data Carrier Detect(DCD)

Power Source

100-120 to 200-220VAC @10%, 50/60Hz, 0.16/0.08A,
external 110/220 volt select switch, IEC Power Inlet,
(2) 5mm Fuses

Environmental

Operating Temperature....50° to 160° F (10° to 60° C)
Operational Relative Humidity.....10% to 80%
Operational Alt.....0 to 2000 Meters above sea level
Non-Operational Temperature....-30 degC to 70 degC
Non-Operational Alt...0 to 50,000 feet above sea level

MTBF

557,600 Hours Benign Ground, Controlled,
Telcordia Issue 1

EMI Approvals

FCC 47CFR, Part 15, Subpart B for conducted emissions from a Class A
FCC 47CFR, Part 15, Subpart B for radiated emissions from a Class A

Safety Approvals

UL 62368-1: 2014

Dimensions

Height 1.75 inches (4.44 cm)
Width 17.00 inches (48.26 cm)
Length 9.00 inches (22.86 cm)

Weight

4.5 pounds (2.1 Kg)

Warranty

Three Years, Return To Factory

ORDERING INFORMATION

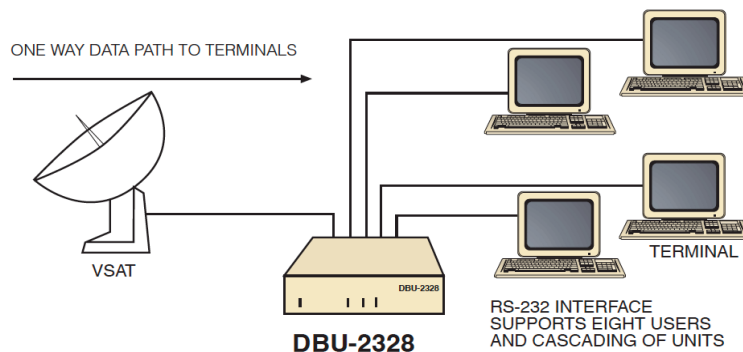
Part Number: 155000

Model: DBU-2328

Description: 8 Port, RS-232 Data Broadcast Unit

INCLUDED WITH EACH UNIT:

- 1) Operations Manual
- 2) Power Cord



EAST COAST DATACOM, INC.

245 Gus Hipp Boulevard, STE 3 • Rockledge, FL 32955-4812 U.S.A.

TEL: (321) 637-9922

WEB SITE: www.ecdata.com

FAX: (321) 637-9980