

ASC-232 / V.11 ASYN TO SYNC CONVERTER

RS-232 to
RS-449 or
RS-530



FEATURES / BENEFITS

- ✓ Interface - RS-232, DB-25 Male (To DTE) and RS-449/RS-530 Female DB-25 (To DCE)
- ✓ Data Rates - Synchronous to 38.4bps and supports 3/4 baud rates
- ✓ Synchronous data rates are automatically adjusted
- ✓ Ac Mains Powered, 110 / 220 VAC Switch Selectable
- ✓ Switch selectable - 8 to 11 bits
- ✓ CCITT V.14 and V.22 compliant
- ✓ Supports full and half duplex operation
- ✓ Compact and Easy To Install

DESCRIPTION

The ASC-232 / V.11 Async to Sync Converter is designed to allow RS-232 async terminal equipment to transmit over higher speed V.11 compliant sync modems. The ASC-232 / V.11 devices are used in pairs, one at each end of the communication link or in multiples as when used in a multi-drop communication link.

The ASC-232 / V.11 supports async data of 8, 9, 10 and 11 bits, including the start and stop bit. Standard data rates from 1200 to 38.4bps and 3/4 rates of 900 to 28.8bps are supported for synchronous transmission. The ASC-232 / V.11 automatically adjusts the sync data rate to match the DTE's output rate, no data rate strapping is required.

Stop bit reduction is provided when the async data rate is faster than the sync data rate, ensuring reliable data communications.

The ASC-232 / V.11 has convenient front panel LED's for control signal status. AC mains power supply allows the data interface signals to drive longer distances than interface powered devices.

The ASC-232 / V.11 is housed in a sturdy metal enclosure and will provide in excess of 100,000 hours of reliable service. The unit is AC mains powered and is switch selectable for 110 / 220 VAC.

The ASC-232 / V.11 has a three year warranty and a 24 hour turnaround on warranty repairs.

EAST COAST DATACOM, INC.

SPECIFICATIONS

Application

RS-232 async terminal to sync
RS-422/RS-530 modem
Conversion, full or half duplex

Capacity

One sync RS-422/530 modem
One async RS-232 terminal

Interface

RS-232 to DTE
V.11 or RS-422, RS-530 to DCE

Data Rates

1200 to 38.4bps
900 to 28.8bps

Data Format

Data transparent at all data rates
Conforms to CCITT V.14 and V.22,
(Async to Sync conversion)

Switches

Provided for async data set-up, stop
bit reduction and signal
to frame ground

Physical Interface

Female DB-25 Connector to Modem
Female DB-25 Connector for Terminal

Power Source

AC mains powered
110 / 220 VAC switch seletable
+/-10%, 50 / 60 Hz, IEC Power Inlet

Environmental

Operating Temperature....32° to 122° F (0° to 50° C)
Relative Humidity.....5 to 95% Non-Condensing
Altitude.....0 to 10,000 feet

Dimensions

Height 1.75 inches (4.44 cm)
Width 7.90 inches (20.07 cm)
Length 9.00 inches (22.86 cm)

Weight

2 pound (0.914Kg)

Warranty

Three Years, Return To Factory

ORDERING INFORMATION

Part #: 163000
Model: ASC-232 / V.11
Description: RS-232 Async to
V.11 sync converter, AC Power

INCLUDED WITH EACH UNIT:

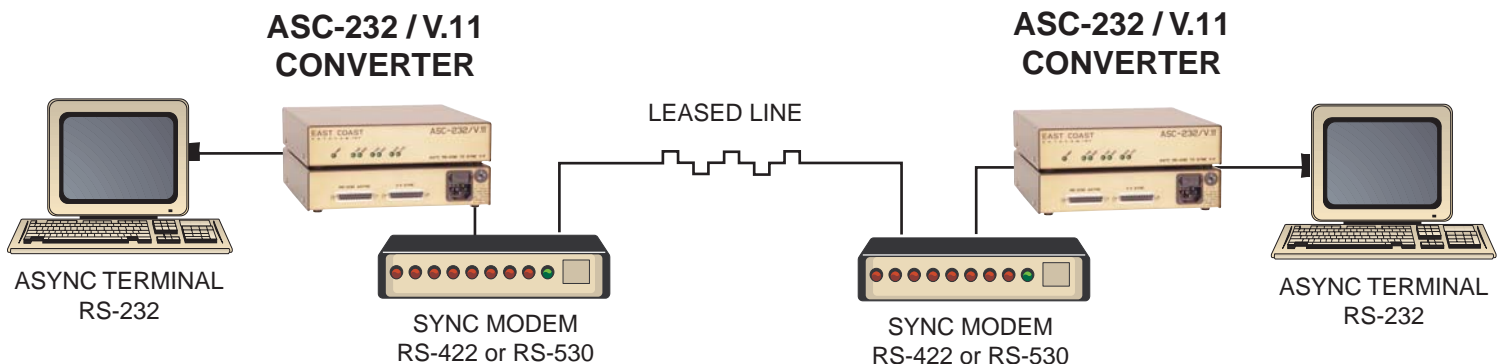
1) Installation Guide

For further detailed technical information on this
product, contact East Coast Datacom Technical
Assistance toll free at (800) 240-7948.

OTHER EAST COAST DATACOM PRODUCTS

MODEM AND PORT SHARING DEVICES
64K SYNC LINE DRIVER
SIGNAL REGENERATORS
DATA BROADCAST UNIT

EAST COAST DATACOM DESIGNS AND MANUFACTURES DATA COMMUNICATION EQUIPMENT FOR YOUR NETWORK REQUIREMENTS.



SPECIFICATIONS ARE SUBJECT TO CHANGE WITHOUT NOTICE

DOC #721018

EAST COAST DATACOM, INC.

245 Gus Hipp Boulevard, STE 3
Rockledge, FL 32955-4812 U.S.A.

TEL: (321) 637-9922

WEB SITE: www.ecdata.com

FAX: (321) 637-9980